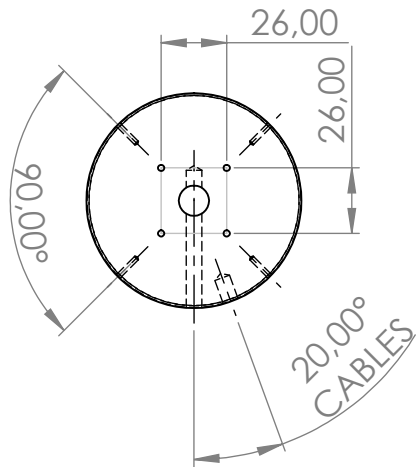


4x Ø2.5mm depth 10mm

4xM3
screw max depth 12mm

AT LEAST TWO POCKETS
NEEDS TO BE OPEN FOR
FREE AIR FLOW TO UNDER
THE PISTON.
MINIMUM OPEN AREA:
1800 mm²



SKYCAT
DRONE PARACHUTES

X85-CF 220mm and 260mm

12.3.2020

Patented. All rights reserved